

结构特点 Design features

- 双端面、单弹簧、非平衡型、橡胶波纹管结构；
- 动环靠橡胶波纹管的过盈量传动，浮动性好；
- Double face, single spring, unbalanced, rubber bellows structure.
- Rotary ring is driven by rubber bellows, good floating.

材料 Materials(to DIN24960)

- 旋转环 Rotary Ring: B、U1、U2、Q1、Q2
- 静止环 Stationary Ring: U1、U2、Q1、Q2、V1、V2
- 辅助密封 Auxiliary Seal: P、E、V
- 弹簧及其他结构件材料 Spring and Other Parts: F、G

介质 Medium

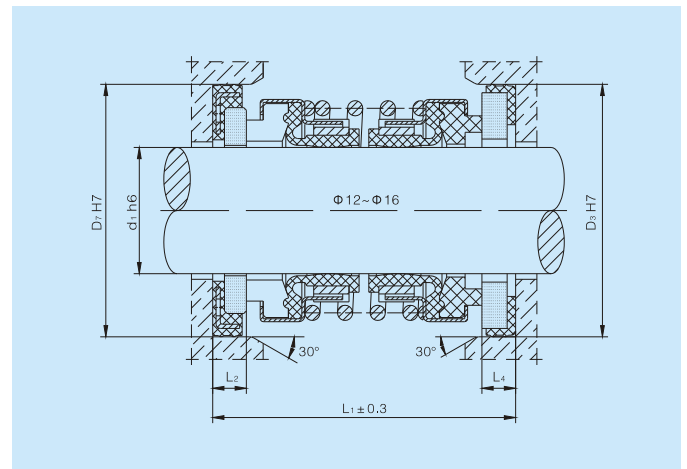
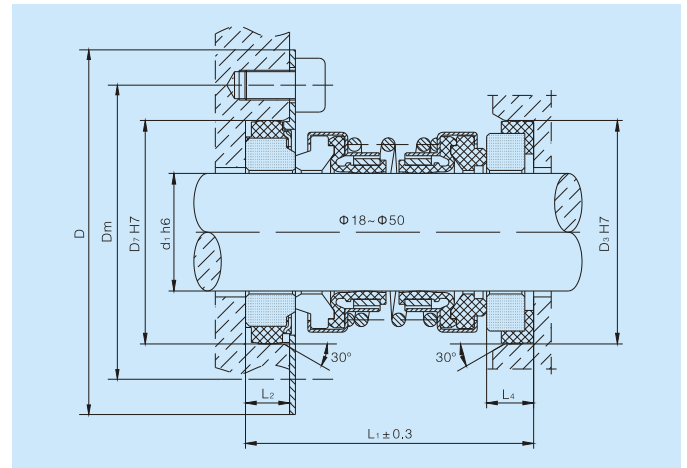
油类、水及其它弱腐蚀性溶液。
Oil, water and other weak corrosive fluid.

适用范围 Operating limits

- 压力 Pressure: $\leq 0.8\text{MPa}$
- 温度 Temperature: $-20\sim 150^\circ\text{C}$
- 线速度 Speeds: $\leq 10\text{m/sec}$

用途 Applications

适用于冷却泵、压缩机、搅拌器和其它旋转轴设备。
Used in auto-cooling pumps, mixers and other rotating equipments.



型号 Model	d ₁	D ₃	D ₇	D _m	D	L ₁	L ₂	L ₄
CN 560D-12	12	25	25			36		5
CN 560D-14	14	30	30			36		5
CN 560D-15	15	30	30			36		5
CN 560D-16	16	30	30			36		5
CN 560D-18	18	35	38			49	7	7
CN 560D-19	19	35	38			49	7	7
CN 560D-20	20	38	38	50	62	49	7	8
CN 560D-25	25	44	50	58	70	51	7	8.5
CN 560D-30	30	44	57	70	82	61	9	8.5
CN 560D-35	35	54	57	70	82	61	8.5	9.5
CN 560D-40	40	64	70			64		10
CN 560D-45	45	66	70	90	105	69	10.5	10
CN 560D-50	50	72	80	69		69	9	10